

Band Clamp 9 mm

Ventilation

TORKFLEX Metal Roll is the perfect solution to create clamps of different diameters depending on the user's needs. Strip steel is a long strip clamp available in 9 or 12 mm Band Width.

Use the 9mm Torque tie clip to close the clam.

Advantages

- Variety
- Flexibility
- Storage and stock advantage
- Provides up to 44 clamps

Application Areas

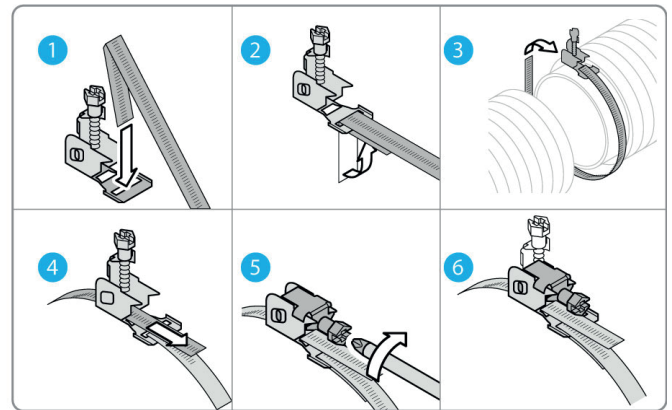
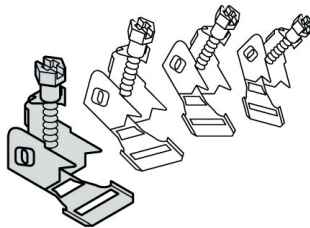
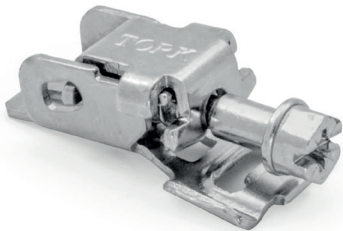
- Water Industry
- Air Conditioning
- Building
- Plumbing



Band Clamp Clip 9 mm

Ventilation

9mm



Application Areas

- Band material: Aluzinc- DIN EN 10130:1999
- Screw: 6 and 7.5 mm CQ15 Rohs Compatible Hexagon Screw
- Coating: Corrosion resistance high Cr + 3 yellow coating

Producible Quality Types

	Product Code	Description	Pieces in a box
9mm	BK-009-01	Connection Clip	500

Box content

Product Code	Description	Material	Band Width mm	Band Thickness mm	Band Length m	Pieces in a box Nm	Tightening Torque
MR060W2-009-01	Strip Steel	W2/W2	9	0.60	30	10	2.5+0.5 Nm

Band material : W1 (Aluzinc) or W2 (AISI 430 – X6CR17)